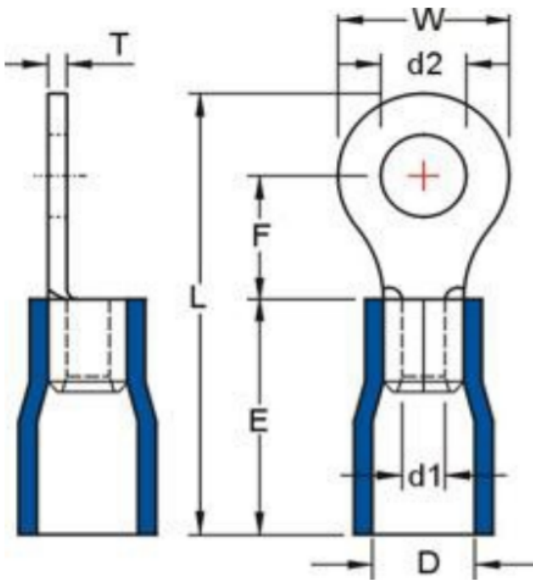




## YR43

- High grade PVC insulation makes crimping easy whilst ensuring complete integrity of termination.
- Yellow Insulation: Conductor size 4.0-6.0mm<sup>2</sup> / 12-10awg.



L	LENGTH	26.70mm
T	THICKNESS	1.00mm
W	WIDTH	9.50mm
d2	STUD SIZE	4.30mm
F	TO CNT STUD	7.75mm
E	INSULATION LENGTH	14.0mm
D	INSULATION I.D	6.70mm
d1	BARREL I.D	3.50mm

BASE MATERIAL: COPPER
PLATING: ELECTRO-TINNED.
INSULATION MATERIAL: VINYL.
MAX TEMPERATURE RATING: 75°C
MAX WORKING VOLTAGE: 600V

BY	DATE		
TIM W.	Jun-14		
		PART NO: YR43	
MAX CURRENT RATING 48AMPS			
MATERIAL: COPPER	UNITS: mm	SHEET	
FINISH: ELECTRO TINNED	SCALE: n/a	1 OF 1	

### Head Office:

Volume Components,  
23 Victory Street,  
Zabbar ZBR 3063, Malta

### Contact Details:

+356 2780 0281  
www.volumecomponents.com  
sales@volumecomponents.com