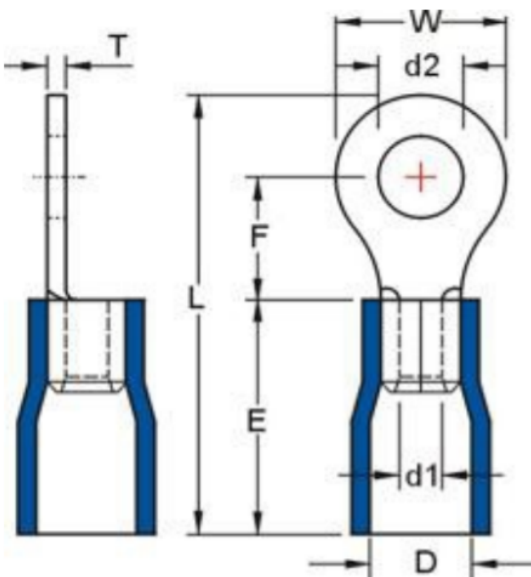




YR64

- High grade PVC insulation makes crimping easy whilst ensuring complete integrity of termination.
- Yellow Insulation: Conductor size 4.0-6.0mm² / 12-10awg.



L	LENGTH	32.70mm
T	THICKNESS	1.00mm
W	WIDTH	12.00mm
d2	STUD SIZE	6.40mm
F	TO CNT STUD	12.50mm
E	INSULATION LENGTH	14.0mm
D	INSULATION I.D	6.70mm
d1	BARREL I.D	3.50mm

BASE MATERIAL: COPPER
PLATING: ELECTRO-TINNED.
INSULATION MATERIAL: VINYL.
MAX TEMPERATURE RATING: 75 °C
MAX WORKING VOLTAGE: 600V

BY	DATE		
TIM W.	Jun-14		
		PART NO: YR64	
MAX CURRENT RATING 48AMPS			
MATERIAL: COPPER		UNITS: mm	SHEET
FINISH: ELECTRO TINNED		SCALE: n/a	1 OF 1

Head Office:

Volume Components,
23 Victory Street,
Zabbar ZBR 3063, Malta

Contact Details:

+356 2780 0281
www.volumecomponents.com
sales@volumecomponents.com