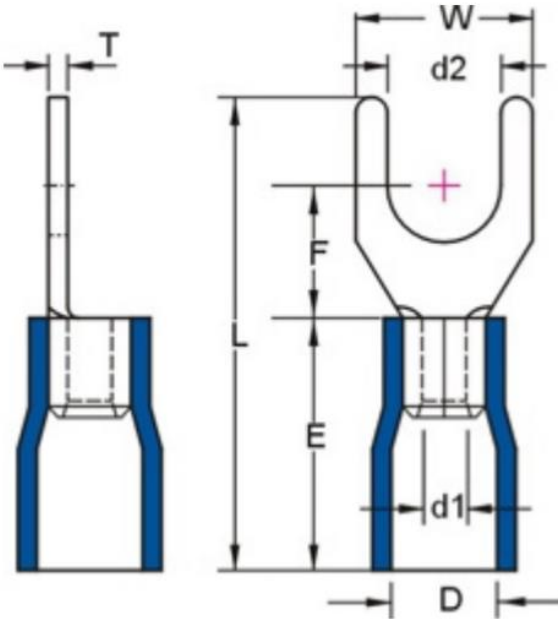




## YS43

- High grade PVC insulation makes crimping easy whilst ensuring complete integrity of termination.
- Yellow Insulation: Conductor size 4.0-6.0mm<sup>2</sup> / 12-10awg.



L	LENGTH	26.70mm
T	THICKNESS	1.00mm
W	WIDTH	8.20mm
d2	STUD SIZE	4.30mm
F	TO CNT STUD	7.60mm
E	INSULATION LENGTH	14.00mm
D	INSULATION I.D	6.70mm
d1	BARREL I.D	3.40mm

BASE MATERIAL: COPPER
PLATING: ELECTRO-TINNED.
INSULATION MATERIAL: VINYL.
MAX TEMPERATURE RATING: 75 °C
MAX WORKING VOLTAGE: 600V

BY	DATE		
TIM W.	Jul-14		
		PART NO: YS43	
MAX CURRENT RATING 35AMPS			
MATERIAL: COPPER		UNITS: mm	SHEET
FINISH: ELECTRO TINNED		SCALE: n/a	1 OF 1

### Head Office:

Volume Components,  
23 Victory Street,  
Zabbar ZBR 3063, Malta

### Contact Details:

+356 2780 0281  
www.volumecomponents.com  
sales@volumecomponents.com